

SEETRONIC

Product Data Sheet

产品规格书

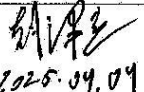
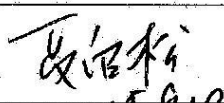
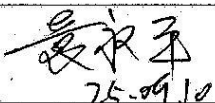
Product Type
产品类型

IP65 Waterproof Power Socket
IP65 防水电源插座

Product Model
产品型号

SAC3MPB-N-W

Customer Name
客户名称

Manufacturer 生产方	Prepared 制作	Checked 审核	Approved 核准
	 2025.09.09	 25.9.10	 25.09.10

Customer 客户方	Received 接受	Checked 审核	Confirmed 确认

Above specifications and information may have tolerances and have been updated.
Every effort has been made to ensure correctness upon release of this data sheet.
以上规格和信息可能存在公差，并已更新。我们已尽一切努力确保本规格书发布时的正确性。

All Rights Reserved 2023
保留所有权利 2023



sales@seetronic-group.com

Product Data Sheet

产品规格书

Product Type 产品类型	IP65 Waterproof Power Socket IP65 防水电源插座	
Product Model 产品型号	SAC3MPB-N-W	
Product Features 产品特性		
<ul style="list-style-type: none">➤ Lockable three-core power device AC socket connector with contacts for line, neutral and pre-adapted safety grounding➤ Used for electrical connection under outdoor conditions with protection grade is IP65➤ Quick and easy locking system➤ High current capacity rated at 20A/250V AC IEC and 20A/300V AC UL ➤ 可锁定的三芯设备 AC 连接器，触点分别为火线、零线及接地线➤ 用于室外环境的电气连接，防护等级 IP65➤ 快捷方便的锁紧系统➤ 高电流容量，20A/250V AC IEC 和 20A/300V AC UL		



Product Data Sheet 产 品 规 格 书

Electrical Parameters 电气参数

Item 项目	Specification 规格
Number of Contacts 触点数量	2 + PE
Rated Current 额定电流	20A IEC / 20A UL
Rated Voltage 额定电压	250V AC IEC / 300V AC UL
Contact Resistance 接触电阻	$\leq 5 \text{ m}\Omega$
Basic insulation/ Reinforced insulation 基本绝缘/加强绝缘	1500V AC / 3000V AC
Insulation Resistance 绝缘电阻	$> 1000 \text{ M}\Omega$

Mechanical Parameters 机械参数

Item 项目	Specification 规格
Service Life 使用寿命	> 1000 mating cycles > 1000 次使用周期
Cable Size 电线尺寸	2.5 mm^2 / 12 AWG



Product Data Sheet 产品规格书

Material and Environmental Parameters 材料和环境

Item 项目	Specification 规格
Housing 外壳	PA 尼龙
Contacts 触点	Cu alloy 铜合金
Contact plating 触点电镀	Ag 银
Protection degree 防护等级	IP65
Flame-retardant grade 阻燃等级	UL 94-V0
Temperature range 使用温度范围	-30°C ~ +80°C

Standards and Certifications 标准和认证

Standards 标准	UL1977 IEC61984 IEC60320-1 GB/T34989
Certifications 认证	UL: E359036 TUV RH : R 50660463 0001 CQC:CQC23003410678

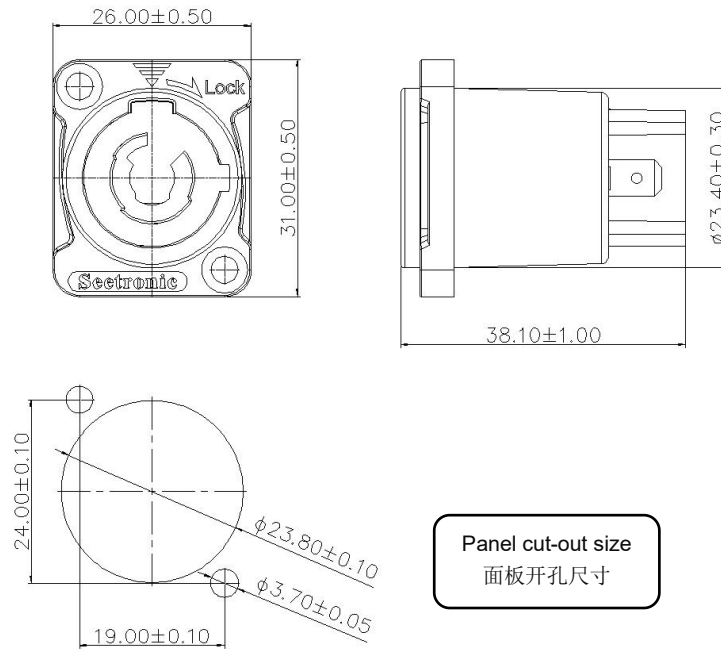


Product Data Sheet

产品规格书

Product Drawing

产品外形尺寸



Panel cut-out size

面板开孔尺寸

Unit:mm

Packaging Method

包装方式

Blister box packaging

20 pcs per blister box, 100 pcs per inner carton, 5 inner carton per master carton (500 pcs per master carton)

吸塑盒包装

20 个/吸塑盒, 100 个/内盒, 5 个内盒/箱 (即 500 个/箱)

Accessory

配件

- | | |
|---|---|
| <input checked="" type="checkbox"/> No accessories
无配件 | <input type="checkbox"/> Back fastener plate
安装固定件 |
| <input type="checkbox"/> Screws and Nuts
螺丝和螺帽 | <input type="checkbox"/> Other
其他 |



Product Data Sheet

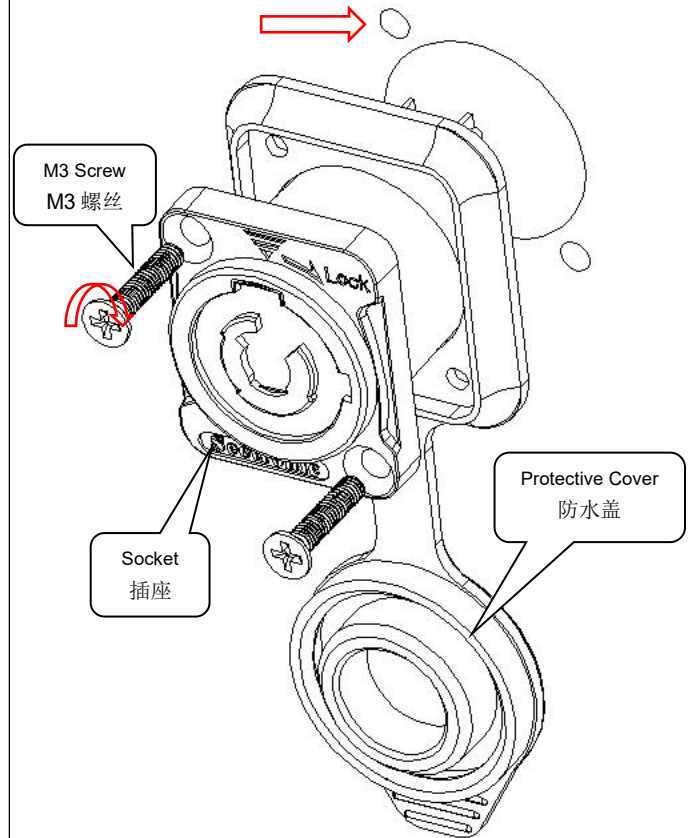
产品规格书

Assembly Instructions

安装使用说明

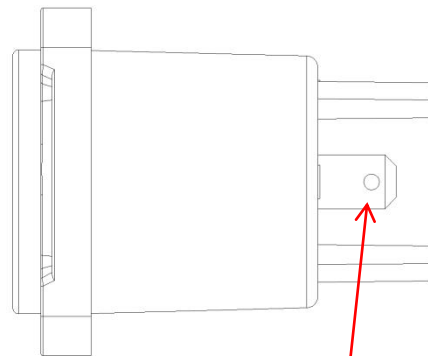
Put the protective cover on the rear side of the socket and then install on the front of the panel. Finally, tighten the screws with 0.5 N·m torque in clockwise direction.

先将防水盖与插座互配，再将插座前装在箱体开孔处，最后将螺丝按顺时针方向用 0.5 N·m 扭矩拧紧。



Type of Terminals

端子接线方式



Soldering / plugging 4.8X0.5 terminals
焊线/插接 4.8x0.5 插接端子

