

SEETRONIC

Product Data Sheet

产品规格书

Product Type
产品类型

XLR Plug
卡侬插头

Product Model
产品型号

SCSM5-B

Customer Name
客户名称

Manufacturer 生产方	Prepared 制作	Checked 审核	Approved 核准

Customer 客户方	Received 接受	Checked 审核	Confirmed 确认

Above specifications and information may have tolerances and have been updated.
Every effort has been made to ensure correctness upon release of this data sheet.
以上规格和信息可能存在公差，并已更新。我们已尽一切努力确保本规格书发布时的正确性。

All Rights Reserved 2023
保留所有权利 2023



sales@seetronic-group.com
www.seetronic.com

Product Data Sheet 产 品 规 格 书

Product Type 产品类型	XLR Plug 卡侬插头	
Product Model 产品型号	SCSM5-B	
Product Features 产品特性		
<ul style="list-style-type: none">➤ 5-core XLR male cable connector with black plated housing and silver plated contacts➤ The metal housing adopts external thread design➤ Two cable clamps are provided for different cable diameters; black clamp 3.5-6mm; white clamp 6-8mm➤ No ring design which is more compact and can save space➤ Colored boots available for coding or identification➤ The boot is equipped with a polyurethane sealing sleeve to prevent the cable from being affected by bending pressure to the greatest extent ➤ 3 芯卡侬公头，外壳镀黑，接触点镀银➤ 金属外壳采用外螺纹粗牙设计➤ 标配两种线夹，适用于不同线径。线径范围：黑色线夹 3.5-6mm；白色线夹 6-8mm➤ 无色环设计，产品更加小巧紧凑，节省空间➤ 彩色尾套用于编码和识别➤ 尾套带聚氨酯密封套，更大限度防止电缆受弯曲压影响		



Product Data Sheet 产品规格书

Product parameters 产品参数

Item 项目	Specification 规格
Connection Type 连接类型	XLR 卡侬
Gender 公母性	Male 公头

Electrical Parameters 电气参数

Item 项目	Specification 规格
Capacitance between contacts 触点间电容	$\leq 7 \text{ pF}$
Contact resistance 接触电阻	$\leq 3 \text{ m}\Omega$
Dielectric strength 介电强度	1.5 kV DC
Insulation resistance 绝缘电阻	$> 10 \text{ G}\Omega$ (initial)
Rated current per contact 每触点间额定电流	7.5 A
Rated voltage 额定电压	$< 50 \text{ V}$



Product Data Sheet 产品规格书

Mechanical Parameters 机械参数	
Item 项目	Specification 规格
Cable O.D. 线缆线径	Black Strain relief: 3.5-6 mm White Strain relief: 6-8 mm 黑线夹: 3.5-6 mm 白线夹: 6-8 mm
Insertion force 插入力	≤ 20 N
Withdrawal force 拔出力	≤ 20 N
Service life 使用寿命	> 1000 mating cycles > 1000 次使用周期
Cable size 线缆尺寸	Max. 1.0 mm ² Max. 18 AWG
Locking device 锁定装置	Latch lock 按键锁定



Product Data Sheet 产品规格书

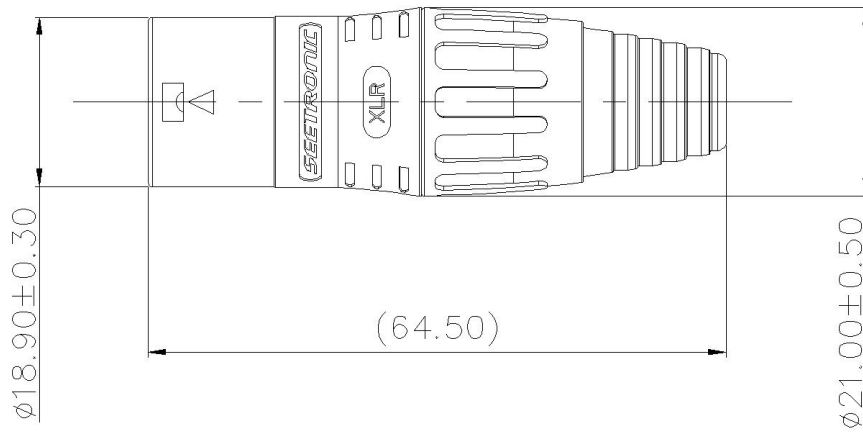
Material and Environmental Parameters 材料和环境	
Item 项目	Specification 规格
Boot 尾套	PA 尼龙
Contacts 触点	Cu alloy 铜合金
Contact plating 触点电镀	Ag 银
Insert 内芯	PA 尼龙
Housing 外壳	Zinc diecast 锌合金
Housing plating 外壳电镀	Black plating 镀黑
Strain relief 线夹	POM 聚甲醛
Flame-retardant grade 阻燃等级	UL 94 HB
Protection class 防护等级	IP40
Temperature range 使用温度范围	-30°C ~ +80°C

Standards and Certifications 标准和认证	
Standards 标准	IEC 61076-2-103
Solderability 可焊性	Complies with IEC 68-2-20



Product Data Sheet 产品规格书

Product Drawing 产品外形尺寸



Unit: mm

Packaging Method 包装方式

1pc per bag (include 1 pc each of inner core assembly, housing, black and white cable clamps, boot)
80 pcs per inner carton, 5 inner carton per master carton (or 400 pcs per master carton)

1 个/袋 (包含内芯组件、外壳、黑线夹、白线夹、尾套各 1 个)
80 个/内盒, 5 个内盒/箱 (即 400 个/箱)

Accessory 配件

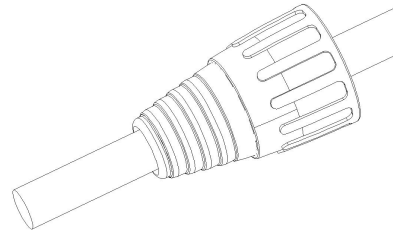
- | | |
|---|---|
| <input checked="" type="checkbox"/> No accessories
无配件 | <input type="checkbox"/> Back fastener plate
安装固定件 |
| <input type="checkbox"/> Screws and Nuts
螺丝和螺帽 | <input type="checkbox"/> Other
其他 |



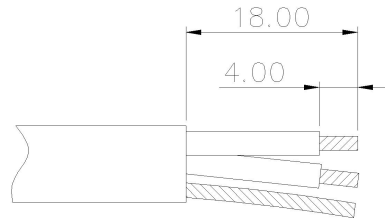
Product Data Sheet 产 品 规 格 书

Assembly Instructions 安装使用说明

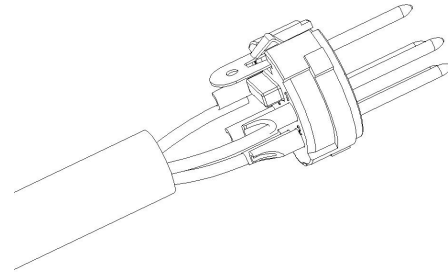
- (1) Put the cable through the boot
将线缆穿过尾套



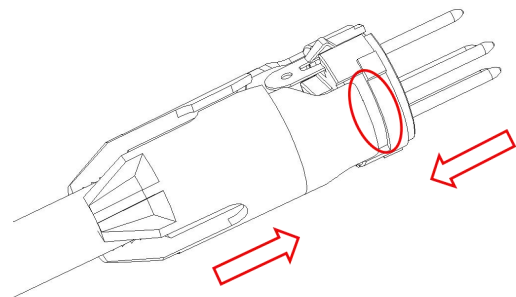
- (2) Strip the cable in the size as shown
按所示尺寸剥线



- (3) Insert the conductor of the cable into the terminal of the inner core and solder
将线缆导体部分插入内芯端子并焊接



- (4) Insert cable into the clamp and clip into the inner core bayonet
将线缆装入线夹内并卡入内芯组件卡口处

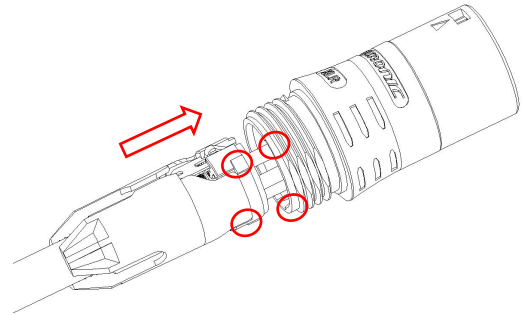


Product Data Sheet

产 品 规 格 书

- (5) Push the inner core component and clamp into the housing. The two protruding ribs of the inner core component should correspond to the two grooves inside the housing.

将接完线后的内芯组件用线夹推入外壳内，内芯组件的两处凸筋需与外壳内的两处凹槽对应



- (6) After the assembly of the clamp, inner core and housing, tighten the boot in a clockwise direction.

线夹组件、内芯组件与外壳装配后，将螺套按顺时针方向拧紧

