

SEETRONIC

Product Data Sheet

产品规格书

Product Type
产品类型

RJ45 Socket
RJ45 插座

Product Model
产品型号

SE8FAV

Customer Name
客户名称

Manufacturer 生产方	Prepared 制作	Checked 审核	Approved 核准
	张磊 1.22	夏信松 26.1.22	张永平 26.1.22

Customer 客户方	Received 接受	Checked 审核	Confirmed 确认

Above specifications and information may have tolerances and have been updated.
Every effort has been made to ensure correctness upon release of this data sheet.
以上规格和信息可能存在公差，并已更新。我们已尽一切努力确保本规格书发布时的正确性。

All Rights Reserved 2023
保留所有权利 2023



sales@seetronic-group.com
www.seetronic.com

Product Data Sheet 产 品 规 格 书

Product Type 产品类型	RJ45 Socket RJ45 插座	
Product Model 产品型号	SE8FAV	
Product Features 产品特性		
<ul style="list-style-type: none">➤ Install from the rear of the panel➤ The rear end inserts PCB➤ Conforms to Class D as defined by TIA/EIA568B and ISO/IEC11801 standards➤ Fast locking and unlocking for the front and rear feedthrough type, providing a guaranteed reliability for continuous and stable signal transmission under moving conditions➤ The rear end can be flexibly modified according to actual requirements <ul style="list-style-type: none">➤ 从面板后安装➤ 后端插 PCB➤ 根据 TIA/EIA568B 和 ISO/IEC11801 标准，插座符合 Class D➤ 为前后贯通式，快速制锁解锁，为移动条件下信号持续稳定传输提供可靠保证➤ 后端可根据实际需求灵活改造		



Product Data Sheet 产品规格书

Product Parameters 产品参数

Item 项目	Specification 规格
Connection type 连接类型	RJ45
Gender 公母性	Female 母

Electrical Parameters 电气参数

Item 项目	Specification 规格
Contact resistance 接触电阻	< 10 mΩ
Rated current 额定电流	1.5 A
Rated voltage 额定电压	50 V
Insulation resistance 绝缘电阻	≥ 0.5GΩ
Dielectric strength 绝缘强度	1 KV DC
Frequency range 带宽频率	1~100 MHz
Transmission performance 传输等级	Class D



Product Data Sheet 产品规格书

Mechanical Parameters 机械参数

Item 项目	Specification 规格
Insertion force 插入力	≤ 40 N
Service life 使用寿命	> 1000 mating cycles > 1000 次使用周期
Locking device 锁定装置	Latch lock 按键锁定
PCB Wiring 相对 PCB 安装方式	Vertical PCB mount 垂直安装 PCB

Material and Environmental Parameters 材料和环境

Item 项目	Specification 规格
Contacts 触点	Copper alloy 铜合金
Contact surface 触点表面	Au 金
Housing 外壳	PBT 聚对苯二甲酸酯
Flame-retardant grade 阻燃等级	UL 94 V-0
Temperature range 使用温度范围	-30°C ~ +80°C

Standards and Certifications 标准和认证

Standards 标准	ITIA/EIA 568B, IEC11801
-----------------	-------------------------

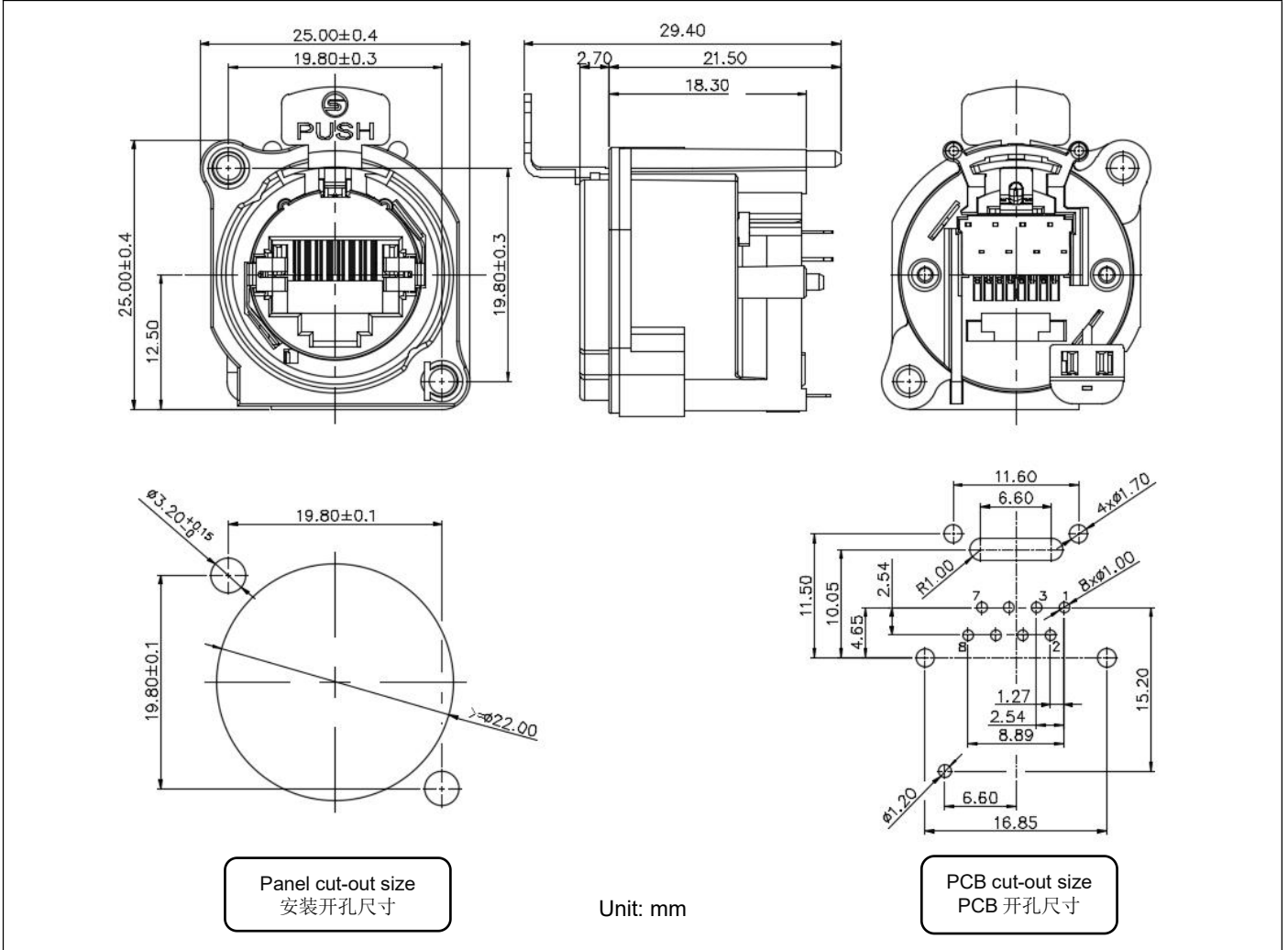


Product Data Sheet

产品规格书

Product Drawing

产品外形尺寸



Packaging Method

包装方式

Blister box packaging, 25 pcs per blister box

150pcs per inner carton, 5 inner cartons per master carton (750 pcs per master carton)

吸塑盒包装

25pcs/吸塑盒, 150个/内盒, 5个内盒/箱(即750个/箱)



Product Data Sheet 产品规格书

Accessory 配件

- | | |
|--|---|
| <input type="checkbox"/> No accessories
无配件 | <input type="checkbox"/> Back fastener plate
安装固定件 |
| <input checked="" type="checkbox"/> Screws
螺丝 | <input type="checkbox"/> Waterproof gasket
防水垫片 |

Assembly Instructions 安装使用说明

- (1) First, install the socket in front of the mounting panel, and then tighten the screw clockwise with 0.5 N·m torque.

(Note: Panel thickness 1.5 ~ 4mm)

将插座后装在面板开孔处，再将面板安装在插座上，最后将螺丝按顺时针方向用 0.5 N·m 扭矩拧紧。

(注：面板厚度 1.5~4.0mm)

