

SEETRONIC

Product Data Sheet

产 品 规 格 书

Product Type
产品类型

IP65 RJ45 Socket
IP65 信号插座

Product Model
产品型号

SE8FD05-30-22(01)

Customer Name
客户名称

Manufacturer 生产方	Prepared 制作	Checked 审核	Approved 核准
	杨振宇 11.14	夏信松 25.11.14	黄伟平 25.11.14

Customer 客户方	Received 接受	Checked 审核	Confirmed 确认

Above specifications and information may have tolerances and have been updated.
Every effort has been made to ensure correctness upon release of this data sheet.
以上规格和信息可能存在公差，并已更新。我们已尽一切努力确保本规格书发布时的正确性。

All Rights Reserved 2023
保留所有权利 2023



sales@seetronic-group.com
www.seetronic.com

Product Data Sheet 产 品 规 格 书

Product Type 产品类型	IP65 RJ45 Socket IP65 信号插座	
Product Model 产品型号	SE8FD05-30-22(01)	
Product Features 产品特性		
<ul style="list-style-type: none">➤ D-shape panel connector with uniform metal flange and standard D-style installation size➤ Install from the rear of the panel➤ The rear end is double row pin PCB-weldable and the length of the needle can be customized according to requirements➤ Match only with SE8MC-05-NEW➤ Can reach protection level of IP65 when used with waterproof cap which fully meets long-lasting and stable signal transmission under severe outdoor conditions➤ Complies with Class D according to TIA/EIA 568B and ISO/IEC 11801 standard➤ The rear end can be flexibly modified according to actual requirements ➤ 具有统一金属法兰的 D 样式，标准的 D 型安装尺寸➤ 从面板后安装➤ 后端为双排针焊 PCB 板式，且针长度可根据需求定制➤ 仅搭配 SE8MC-05-NEW 使用➤ 在配合垫片安装下，可达到 IP65 的防护等级，完全满足户外恶劣条件下的持久稳定信号传输➤ 符合 TIA/EIA 568B 和 ISO/IEC 11801 的关于 Class D 的传输标准➤ 后端可根据实际需求灵活改造		



Product Data Sheet 产品规格书

Product Parameters 产品参数

Item 项目	Specification 规格
Connection type 连接类型	RJ45
Gender 公母性	Female 母

Electrical Parameters 电气参数

Item 项目	Specification 规格
Contact resistance 接触电阻	< 10 mΩ
Rated current per contact 每触点间额定电流	0.5A/PIN
Rated voltage 额定电压	50 V
Insulation resistance 绝缘电阻	≥ 0.5GΩ
Dielectric strength 绝缘强度	1 KV DC
Frequency range 带宽频率	1~100 MHz
Transmission performance 传输等级	Class D



Product Data Sheet 产品规格书

Mechanical Parameters 机械参数

Item 项目	Specification 规格
Insertion force 插入力	≤40 N
Chassis shape 底板规格	D-shape
Service life 使用寿命	> 1000 mating cycles > 1000 次使用周期

Material and Environmental Parameters 材料和环境

Item 项目	Specification 规格
Housing 外壳	Zinc alloy 锌合金
Contacts 触点	Copper alloy 铜合金
Insert 插座	PBT
Contact surface 触点表面	Au 金
Housing plating 外壳电镀	Pearl Cr coating 镀珍珠铬
Protection degree 防护等级	IP65
Temperature range 使用温度范围	-30°C ~ +80°C

Standards and Certifications 标准和认证

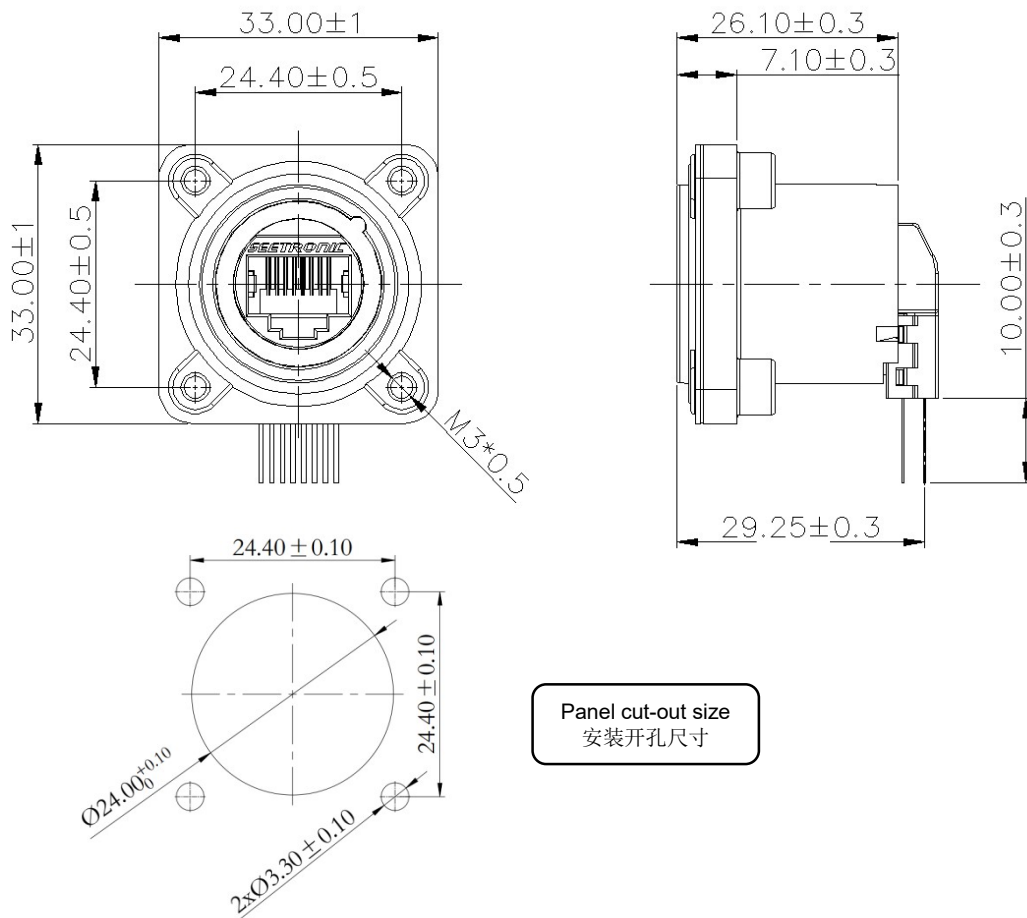
Standards 标准	TIA/EIA 568B, IEC11801
-----------------	------------------------



Product Data Sheet

产品规格书

Product Drawing 产品外形尺寸



Panel cut-out size
安装开孔尺寸

Unit: mm

Packaging Method 包装方式

30 pcs per inner carton, 10 inner cartons per master carton (300 pcs per master carton)

30 个/内盒, 10 个内盒/箱 (即 300 个/箱)



Product Data Sheet 产品规格书

Accessory 配件

- | | |
|--|---|
| <input type="checkbox"/> No accessories
无配件 | <input type="checkbox"/> Back fastener plate
安装固定件 |
| <input checked="" type="checkbox"/> Screws
螺丝 | <input checked="" type="checkbox"/> Waterproof gasket
防水垫片 |

Assembly Instructions 安装使用说明

First, install the socket from the rear side of the panel, then tighten the screws in clockwise direction with a torque of 0.5 N·m.

(Note: Panel thickness 1.5~4mm)

先将插座装在箱体开孔处背面，然后把螺丝按顺时针方向用 0.5 N·m 扭矩拧紧

(注：面板厚度 1.5~4mm)

