

# SEETRONIC

## Product Data Sheet

## 产品规格书

**Product Type**  
产品类型

**RJ45 Socket**  
RJ45 插座

**Product Model**  
产品型号

**SE8FDP**

**Customer Name**  
客户名称

Manufacturer 生产方	Prepared 制作	Checked 审核	Approved 核准
	张勇 14	张勇 20.1.15	张勇 20.1.15

Customer 客户方	Received 接受	Checked 审核	Confirmed 确认

Above specifications and information may have tolerances and have been updated.  
Every effort has been made to ensure correctness upon release of this data sheet.  
以上规格和信息可能存在公差，并已更新。我们已尽一切努力确保本规格书发布时的正确性。

All Rights Reserved 2023  
保留所有权利 2023



sales@seetronic-group.com  
www.seetronic.com

## Product Data Sheet 产 品 规 格 书

<b>Product Type</b> 产品类型	<b>RJ45 Socket</b> <b>RJ45 插座</b>	
<b>Product Model</b> 产品型号	<b>SE8FDP</b>	
<b>Product Features</b> 产品特性		
<ul style="list-style-type: none"><li>➤ D-shape panel connector with uniform metal flange and standard D-style installation size</li><li>➤ Install from the rear of the panel</li><li>➤ The rear end is a feedthrough RJ45</li><li>➤ Conforms to CAT 5e as defined by TIA/EIA568B and ISO/IEC11801 standards</li><li>➤ Fast locking and unlocking for the front and rear feedthrough type, providing a guaranteed reliability for continuous and stable signal transmission under moving conditions</li></ul> <ul style="list-style-type: none"><li>➤ 具有统一金属法兰的 D 样式，标准的 D 型安装尺寸</li><li>➤ 从面板后安装</li><li>➤ 后端为直通式水晶座</li><li>➤ 根据 TIA/EIA568B 和 ISO/IEC11801 标准，插座符合 CAT 5e</li><li>➤ 为前后贯通式，快速制锁解锁，为移动条件下信号持续稳定传输提供可靠保证</li></ul>		



## Product Data Sheet 产品规格书

Product Parameters 产品参数	
Item 项目	Specification 规格
Connection Type 连接类型	RJ45
Gender 公母性	Female 母

Electrical Parameters 电气参数	
Item 项目	Specification 规格
Contact resistance 接触电阻	< 10 mΩ
Rated current per contact 每触点间额定电流	0.5 A/PIN
Rated voltage 额定电压	50 V
Insulation resistance 绝缘电阻	≥ 0.5 GΩ
Dielectric strength 绝缘强度	1 KV DC
Frequency range 带宽频率	1~100 MHz
Transmission performance 传输等级	CAT 5e



## Product Data Sheet 产品规格书

### Mechanical Parameters 机械参数

Item 项目	Specification 规格
Insertion force 插入力	≤ 40 N
Service life 使用寿命	> 1000 mating cycles > 1000 次使用周期
Locking device 锁定装置	Latch lock 按键锁定

### Material and Environmental Parameters 材料和环境

Item 项目	Specification 规格
Contacts 触点	Copper alloy 铜合金
Insert 插座	PBT 聚对苯二甲酸酯
Contact surface 触点表面	Au 金
Housing 外壳	Zinc alloy 锌合金
Housing plating 外壳电镀	Ni 镀镍
Temperature range 使用温度范围	-30°C ~ +80°C

### Standards and Certifications 标准和认证

Standards 标准	TIA/EIA 568B, IEC11801
-----------------	------------------------

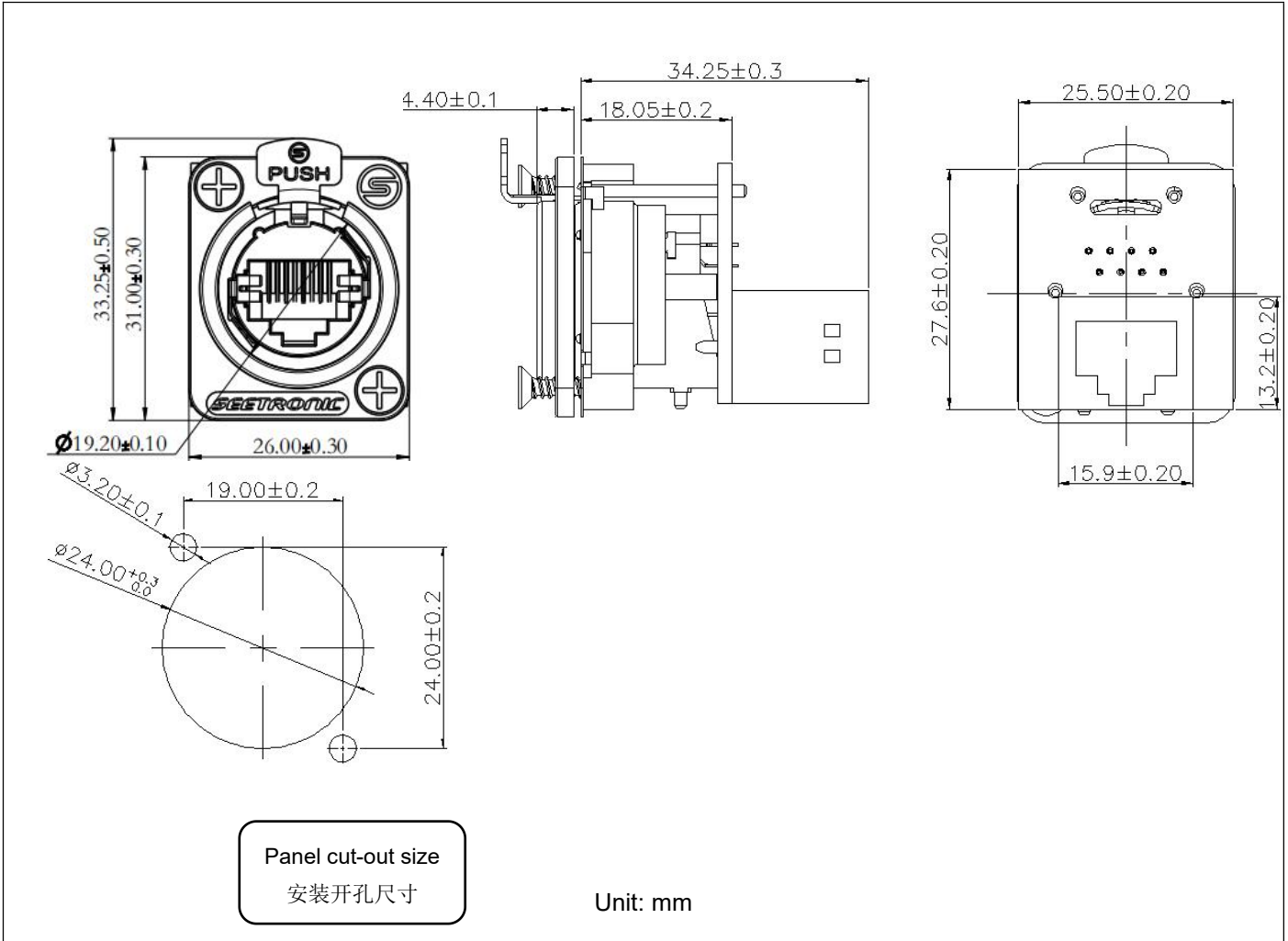


## Product Data Sheet

## 产品规格书

### Product Drawing

### 产品外形尺寸



### Packaging Method

### 包装方式

1 pc per bag

50 pcs per inner carton, 5 inner cartons per master carton (250 pcs per master carton)

PE 袋包装, 1 个/袋

50 个/内盒, 5 个内盒/箱 (即 250 个/箱)



## Product Data Sheet 产品规格书

### Accessory 配件

- |  |   |
|--|---|
| <input type="checkbox"/> No accessories<br>无配件   | <input type="checkbox"/> Back fastener plate<br>安装固定件 |
| <input checked="" type="checkbox"/> Screws<br>螺丝 | <input type="checkbox"/> Waterproof gasket<br>防水垫片    |

### Assembly Instructions 安装使用说明

First loosen the screw, decompose the product into the panel cover part, the base part, then place the cover part of the panel on the front of the installation panel, the base part on the back of the installation panel, and finally tighten the screw in the clockwise direction with 0.4 N·m torque

(Note: Panel thickness 1.5 ~ 4mm)

先松退螺丝，将产品分解为面板盖板部分，基座部分，再将面板盖板部分放置于安装面板前部，基座部分放置于安装面板后部，最后把螺丝按顺时针方向用 0.4 N·m 扭矩拧紧

(注：面板厚度 1.5~4mm)

