

SEETRONIC

Product Data Sheet

产品规格书

Product Type
产品类型

IP65 RJ45 Socket
IP65 RJ45 插座

Product Model
产品型号

SE8FDY-02-DC

Customer Name
客户名称

Manufacturer 生产方	Prepared 制作	Checked 审核	Approved 核准
	高敏 10/28	张松 25.10.28	张永平 25.10.28

Customer 客户方	Received 接受	Checked 审核	Confirmed 确认

Above specifications and information may have tolerances and have been updated.
Every effort has been made to ensure correctness upon release of this data sheet.
以上规格和信息可能存在公差，并已更新。我们已尽一切努力确保本规格书发布时的正确性。

All Rights Reserved 2023
保留所有权利 2023



sales@seetronic-group.com
www.seetronic.com

Product Data Sheet 产 品 规 格 书

Product Type 产品类型	IP65 RJ45 Socket IP65 RJ45 插座	
Product Model 产品型号	SE8FDY-02-DC	
Product Features 产品特性		
<ul style="list-style-type: none">➢ Accommodates SE8MC-02 or any standard RJ45 plug➢ D-shape panel connector with uniform metal flange and standard D-style installation size➢ Can reach protection level of IP65 when used with waterproof cap which fully meets long-lasting and stable signal transmission under severe outdoor conditions➢ Install from the front the panel➢ Conforms to Class D as defined by TIA/EIA 568B and ISO/IEC 11801 standards➢ The back end is 180 degree 2x4P horn ➢ 能通配 SE8MC-02 或任何标准的 RJ45 接头➢ 具有统一金属法兰的 D 样式，标准的 D 型安装尺寸➢ 在配合垫片安装下，可达到 IP65 的防护等级，完全满足户外恶劣条件下的持久稳定信号传输➢ 从面板前安装➢ 根据 TIA/EIA568B 和 ISO/IEC11801 标准，插座符合 Class D 的传输标准➢ 后端为 180 度 2x4P 牛角		



Product Data Sheet 产品规格书

Product Parameters 产品参数

Item 项目	Specification 规格
Connection type 连接类型	RJ45
Gender 公母性	Female 母

Electrical Parameters 电气参数

Item 项目	Specification 规格
Contact resistance 接触电阻	< 10 mΩ
Rated current per contact 每触点间额定电流	0.5 A/PIN
Rated voltage 额定电压	50 V
Insulation resistance 绝缘电阻	≥ 0.5 GΩ
Dielectric strength 绝缘强度	1 KV DC
Frequency range 带宽频率	1~100 MHz
Transmission performance 传输性能	Class D



Product Data Sheet 产品规格书

Mechanical Parameters 机械参数

Item 项目	Specification 规格
Insertion force 插入力	≤ 40 N
Chassis shape 底板规格	D-shape
Service life 使用寿命	> 1000 mating cycles > 1000 次使用周期
Locking device 锁定装置	Latch lock 按键锁定

Material and Environmental Parameters 材料和环境

Item 项目	Specification 规格
Housing 外壳	Zinc alloy 锌合金
Housing plating 外壳电镀	Pearl Cr coating 镀珍珠铬
Contacts 触点	Copper alloy 铜合金
Contact plating 触点电镀	Au 金
Protection degree 防护等级	IP65
Temperature range 使用温度范围	-30°C ~ +80°C

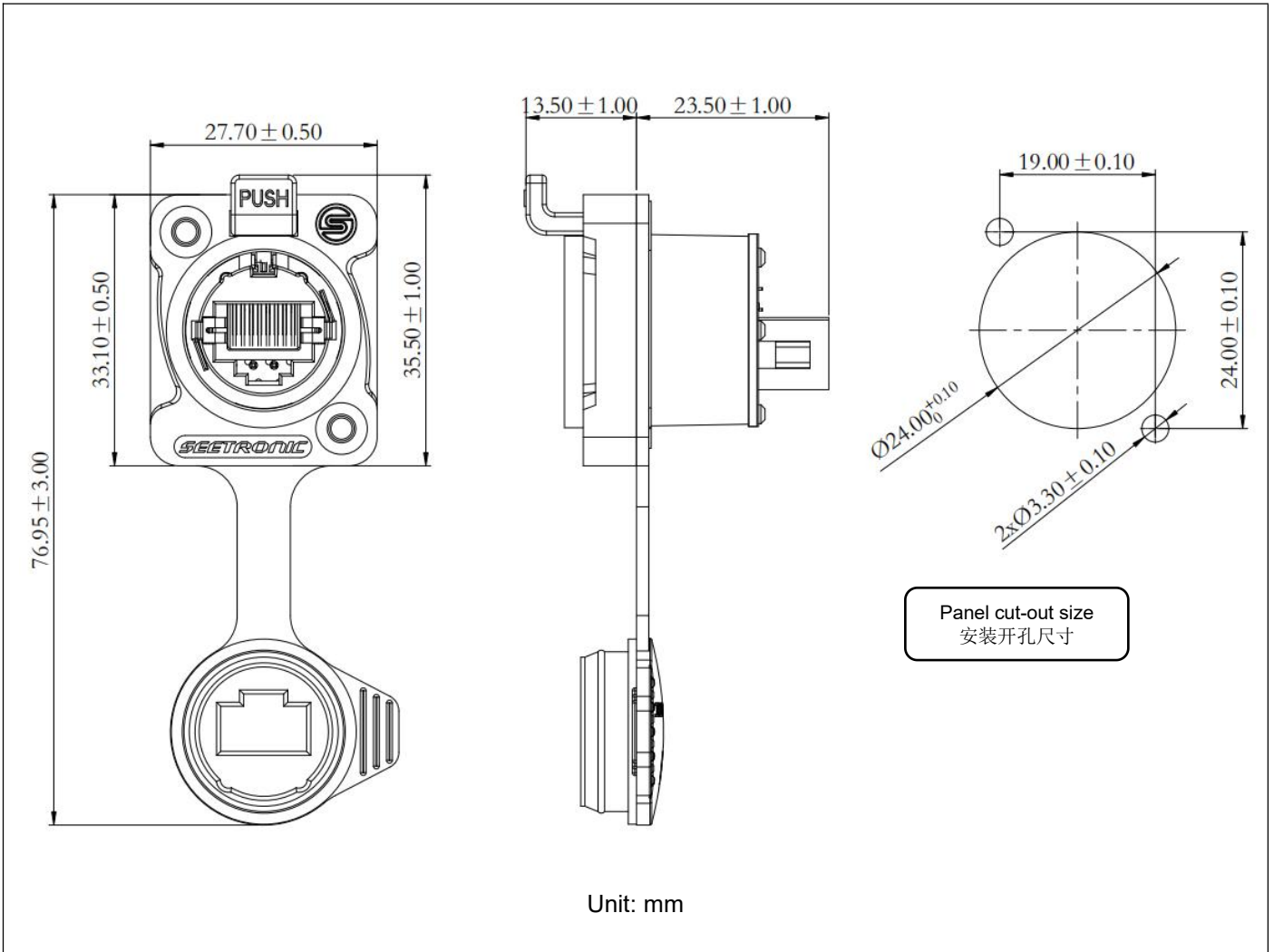
Standards and Certifications 标准和认证

Standards 标准	TIA/EIA 568B, IEC11801
-----------------	------------------------



Product Data Sheet 产品规格书

Product Drawing 产品外形尺寸



Packaging Method 包装方式

1 pc per bag
50 pcs per inner carton, 5 inner cartons per master carton (250 pcs per master carton)

1 个/袋
50 个/内盒, 5 个内盒/箱 (即 250 个/箱)



Product Data Sheet 产品规格书

Accessory 配件

- | | |
|--|---|
| <input type="checkbox"/> No accessories
无配件 | <input type="checkbox"/> Back fastener plate
安装固定件 |
| <input checked="" type="checkbox"/> Screws and Nuts
螺丝和螺帽 | <input checked="" type="checkbox"/> Waterproof gasket
防水垫片 |

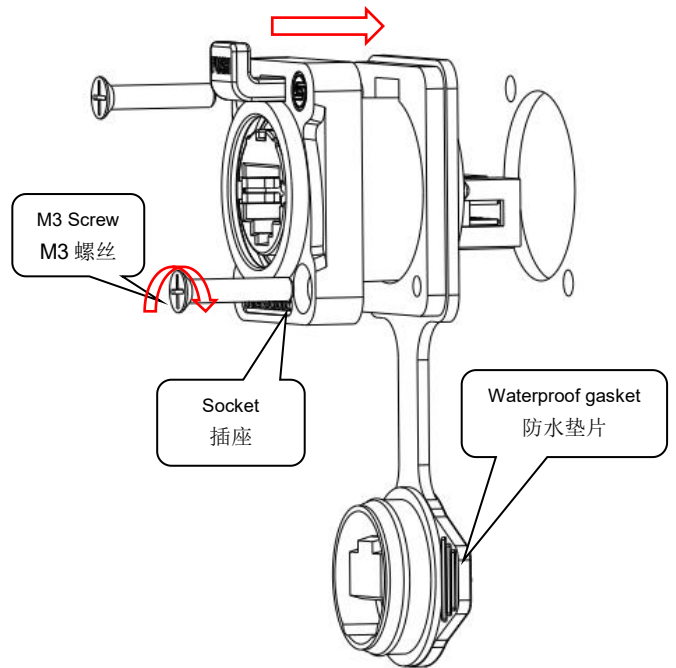
Assembly Instructions 安装使用说明

- (1) First, match the waterproof gasket with the socket, and then install the socket in the open hole of the panel. Finally, tighten the screws with 0.5 N·m torque in a clockwise direction.

(Note: Panel thickness 1.5 ~ 4.0mm)

先将防水盖与插座互配，再将插座前装在箱体开孔处，最后把螺丝按顺时针方向用 0.5 N·m 扭矩拧紧

(注：面板厚度 1.5~4.0mm)



- (2) Wiring diagram

接线示意图

