

SEETRONIC

Product Data Sheet

产品规格书

Product Type
产品类型

IP65 Waterproof Power Plug
IP65 防水插头

Product Model
产品型号

SAC3FCA-N-W

Customer Name
客户名称

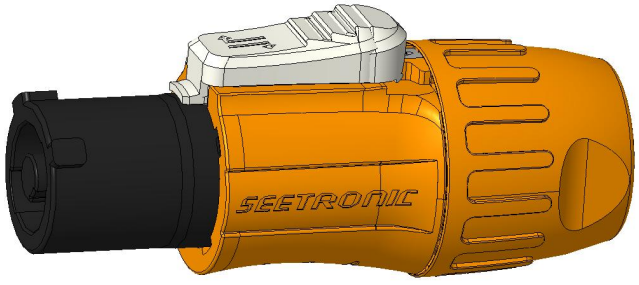
Manufacturer 生产方	Prepared 制作	Checked 审核	Approved 核准
	胡峰 2025.08.30	夏怡林 25.8.30	夏永平 25.09.01

Customer 客户方	Received 接受	Checked 审核	Confirmed 确认

Above specifications and information may have tolerances and have been updated.
Every effort has been made to ensure correctness upon release of this data sheet.
以上规格和信息可能存在公差，并且更新。我们已尽一切努力确保本规格书发布时的准确性。



Product Data Sheet

Product Type 产品类型	IP65 Waterproof Power Plug IP65 防水插头	
Product Model 产品型号	SAC3FCA-N-W	

Product Features

- Lockable three-core power-in cable connector with contacts for line, neutral and pre-adapted safety grounding
 - Used for electrical connection under outdoor conditions with protection grade IP65
 - Match with SAC3MCA-N-W plug or SAC3MPA-N-W/SAC3MPA-W-M socket
 - Fast and easy locking system with firm latch lock which does not fall off
 - Rugged and reliable anti-twist locking structure
 - High current capacity rated at 16A/250V AC IEC and 20A/300V AC UL
-
- 带触点可锁定的三芯插头电源线缆连接器，触点分别为火线、零线及接地线
 - 用于户外条件下的电气连接，防护等级为 IP65
 - 与 SAC3MCA-N-W 插头或者 SAC3MPA-N-W/SAC3MPA-W-M 插座配套使用
 - 快速简便的锁定系统，具有牢固的闩锁，按键牢靠不脱落
 - 坚固可靠的夹线螺母防松结构
 - 高电流容量，16A/250V AC IEC 和 20A/300V AC UL



Product Data Sheet

Electrical Parameters

电气参数

Item 项目	Specification 规格
Number of pole 触点数量	2P + PE
Rated Current 额定电流	16A IEC / 20A UL
Rated Voltage 额定电压	250V AC IEC / 300V AC UL
Contact Resistance 接触电阻	≤ 5 mΩ
Basic insulation/ Reinforced insulation 基本绝缘/加强绝缘	1500V AC /3000V AC
Insulation Resistance 绝缘电阻	> 1000MΩ

Mechanical Parameters

机械参数

Item 项目	Specification 规格
Service Life 使用寿命	> 1000 mating cycles > 1000 次使用周期
Wire range: 电线尺寸	2.5 mm ² /12 AWG
Cable OD 电缆外径	8-11 mm
Type of Terminals 端子接线方式	Screw type terminals 螺丝锁线端子



Product Data Sheet

Material and Environmental Parameters

材料和环境

Item 项目	Specification 规格
Housing 外壳材质	PA66 尼龙
Contacts 触点材质	Cu alloy 铜合金
Contact surface 触点表面	Ag 银
Protection degree 防护等级	IP65
Flame retardant rating 阻燃等级	UL94 V-0
Temperature range 使用温度范围	-30° C ~ +80° C

Standards and Certifications

标准和认证

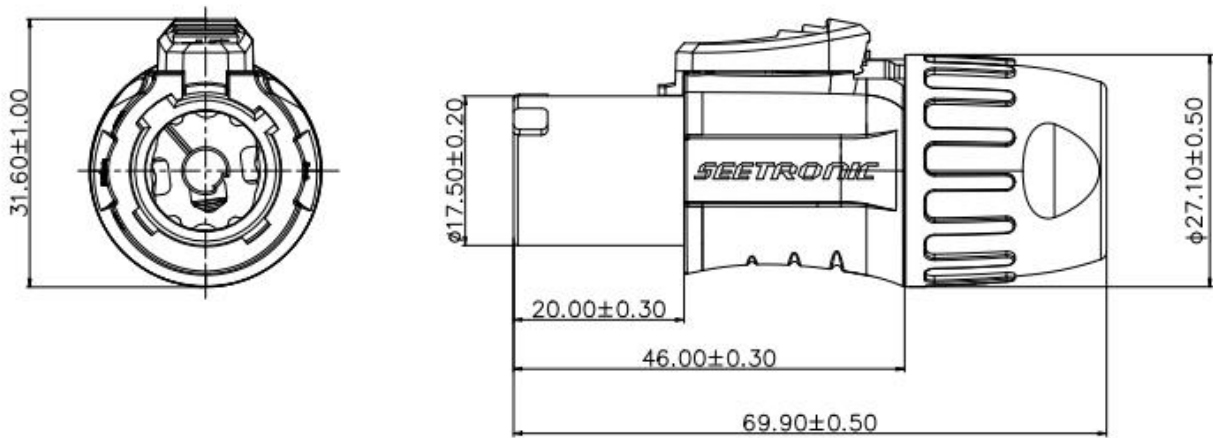
Standards 标准	UL1977 IEC61984 IEC60320-1 GB/T34989
Certifications 认证	UL: E359036 TUV RH : R 50660463 0001 CQC:CQC23003410678



Product Data Sheet

Product Drawing

产品外形尺寸



Unit: mm

Packaging Method

包装方法

1 pc per bag (include 1 pc each of inner core, housing, strain relief, bushing)
40 pcs per inner carton, 5 inner cartons per master carton (200 pcs per master carton)

1 个/袋 (包含内芯、外壳、线夹组件、尾套各 1 个)
40 个/内盒, 5 个内盒/箱 (即 200 个/箱)

Accessory

附件

- | | |
|--|--|
| <input checked="" type="checkbox"/> No accessories
无配件安装固定件 | <input type="checkbox"/> Back fastener plate
安装面板 |
| <input type="checkbox"/> Screws and Nuts
螺丝和螺帽 | <input type="checkbox"/> Other
其他 |

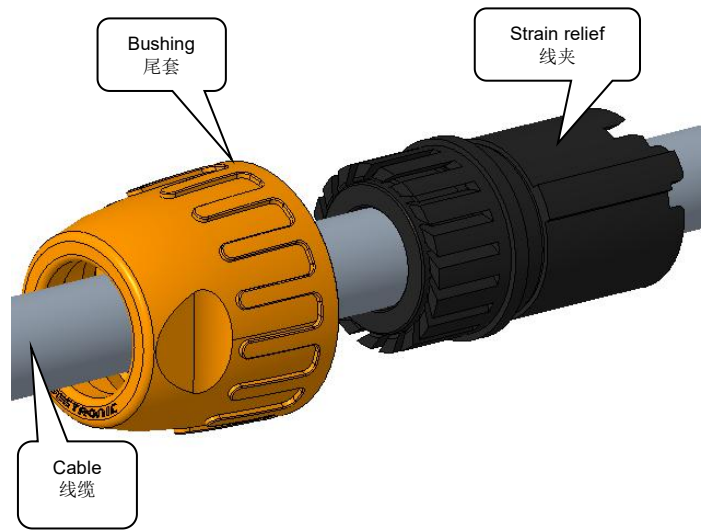


Product Data Sheet

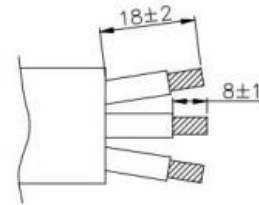
Assembly Instructions

安装使用说明

- (1) Put the cable through the bushing and strain relief
将线缆穿过尾套和线夹



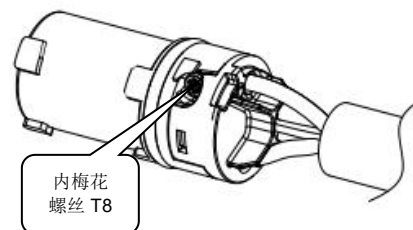
- (2) Strip the cable in the size as shown
按所示尺寸剥线



- (3) Insert the conductor of the cable into the terminal of the inner core (refer to the wiring method on the right) and then lock with a torque of 0.7 N·m.

将线缆导体部分插入内芯端子（参考右图接线方式），插入后需用 0.7 N·m 扭矩锁紧螺丝(使用 T8 梅花螺丝刀或批头)。

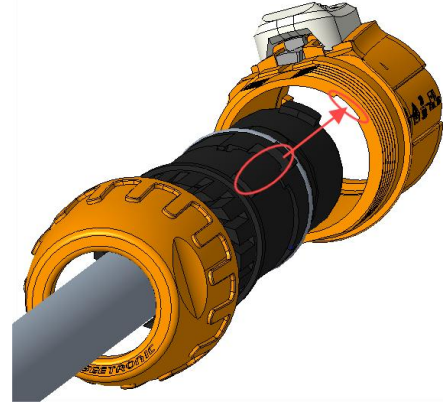
Wiring 线序	IEC	UL
L	Brown 棕色	Black 黑色
N	Blue 蓝色	White 白色
Ground 地线	Green/Yellow 绿色/黄色	Green 绿色



Product Data Sheet

- (4) Push the inner core component into the housing with the strain relief. The protruding rib of strain relief should correspond to the protruding rib of inner core component. And the two protruding ribs should correspond to the two grooves inside the housing.

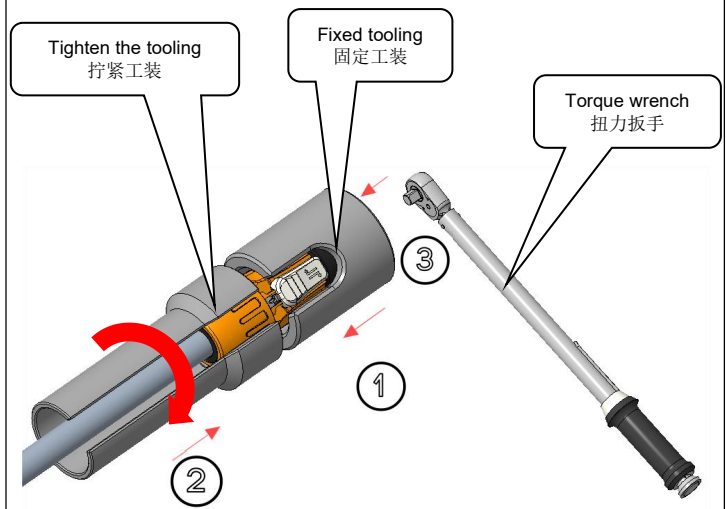
将接完线后的内芯用线夹推入外壳内，线夹的凸筋需与内芯凸筋对应，两处凸筋与外壳凹槽处对应。



- (5) After the cable clamp
- 1、Place the connector into the fixed fixture.
 - 2、Place the tightening fixture in the tail sleeve of the connector, and then tighten the tail sleeve clockwise.
 - 3、For precise installation positions, use a torque wrench to tighten with a torque of 5N·m.

线夹、内芯组件与外壳装配后：

- 1、将连接器放入固定工装中；
- 2、将拧紧工装放置在连接器的尾套中，然后顺时针方向拧紧尾套；
- 3、对于精确的安装位置，使用扭力扳手 5N·m 扭矩拧紧。



- (6) Remove the tail sleeve:
- 1、Use a special tool to push up the locking device below the button (When not available, a flat screwdriver with a blade width ≤ 2.5 can be used as a substitute), Then felt the graphics lag, Explanation: The locking device moves upwards to the internal locking position and clicks into place.
 - 2、At this time, take out the special tool and the tail sleeve can be twisted out counterclockwise

拆卸尾套：

- 1、用专用工具（没有时可用刀头宽度 ≤ 2.5 的一字螺丝刀代替）往上顶按键下方的锁止装置，接着感受到明显卡顿，说明锁止装置向上移动至内部过盈位并卡住位置（图3）；
- 2、此时取出专用工具，尾套即可逆时针拧出。

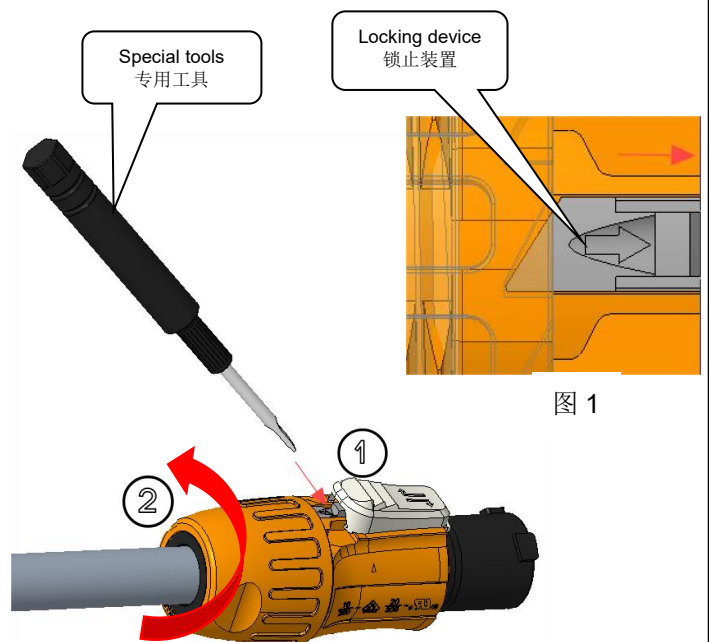


图 1



Product Data Sheet

Lock State 锁止状态

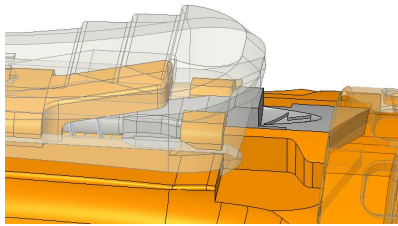


图 2

解锁状态下，锁止装置与尾套
脱离

When unlocked, the locking
device disengages from the
tailgate



Unlock State 松止状态

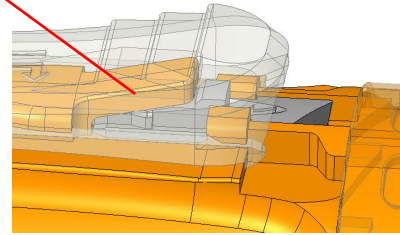


图 3

(7) Note: Pushing down the button will reset the locking device.

注意：按键往后推即可让锁止装置复位

