

SEETRONIC

Product Data Sheet

产 品 规 格 书

Product Type
产品类型

IP65 Waterproof Power Plug
IP65 防水插头

Product Model
产品型号

SAC3FG-DJ-10

Customer Name
客户名称

Manufacturer 生产方	Prepared 制作	Checked 审核	Approved 核准
	高毅 8.29	夏怡松 25.8.29	袁永平 25.08.29

Customer 客户方	Received 接受	Checked 审核	Confirmed 确认

Above specifications and information may have tolerances and have been updated.
Every effort has been made to ensure correctness upon release of this data sheet.
以上规格和信息可能存在公差，并已更新。我们已尽一切努力确保本规格书发布时的正确性。

All Rights Reserved 2023
保留所有权利 2023



sales@seetronic-group.com
www.seetronic.com

Product Data Sheet

产 品 规 格 书

Product Type 产品类型	IP65 Waterproof Power Plug IP65 防水对接头	
Product Model 产品型号	SAC3FG-DJ-10	

Product Features 产品特性

- Multiple types of 3-inner core design to meet the diversity of industrial needs
- Gold plated contacts with high corrosion resistance and electrical conductivity, effectively cope with the current generated temperature change.
- PA66 shell, stable electrical performance, high pressure and temperature resistance, anti-explosion, and corrosion resistance
- Rated current 20A rms
- IP65 protection rating
- Cable OD 9-11 mm
- 多种类型的内芯设计(3芯), 满足行业多样化需求。
- 镀金接点, 耐腐蚀性和导电性高, 有效应对温度变化所产生的电流
- PA66 外壳, 电气性能稳定, 耐高压、耐高温、防爆、耐腐蚀
- 额定电流 20A
- IP65 防护
- 线径范围: 9-11mm



Product Data Sheet 产品规格书

Electrical Parameters 电气参数

Item 项目	Specification 规格
Number of Contacts 触点数量	2 + PE
Rated Current 额定电流	20A
Rated Voltage 额定电压	250V AC
Contact Resistance 接触电阻	$\leq 5 \text{ m}\Omega$
Dielectric Strength 介电强度	4000V DC
Insulation Resistance 绝缘电阻	$> 1000 \text{ M}\Omega$

Mechanical Parameters 机械参数

Item 项目	Specification 规格
Service Life 使用寿命	> 1000 mating cycles > 1000 次使用周期
Cable Size 电线尺寸	2.5mm^2 (外径 9-11mm)
Type of Terminals 端子接线方式	Solder 焊接



Product Data Sheet 产品规格书

Material and Environmental Parameters 材料和环境

Item 项目	Specification 规格
Housing 外壳材质	PA 尼龙
Contacts 触点材质	Cu alloy 铜合金
Contact surface 触点表面	Au 金
Protection degree 防护等级	IP65
Flame retardant rating 阻燃等级	UL94V-0
使用温度范围 Temperature range	-30°C ~ +80°C

Standards and Certifications 标准和认证

Standards 标准	UL498 UL50E IEC61984 GB/T 34989
Certifications 认证	UL: E356932 VDE: 40044166 CQC:CQC23003410681

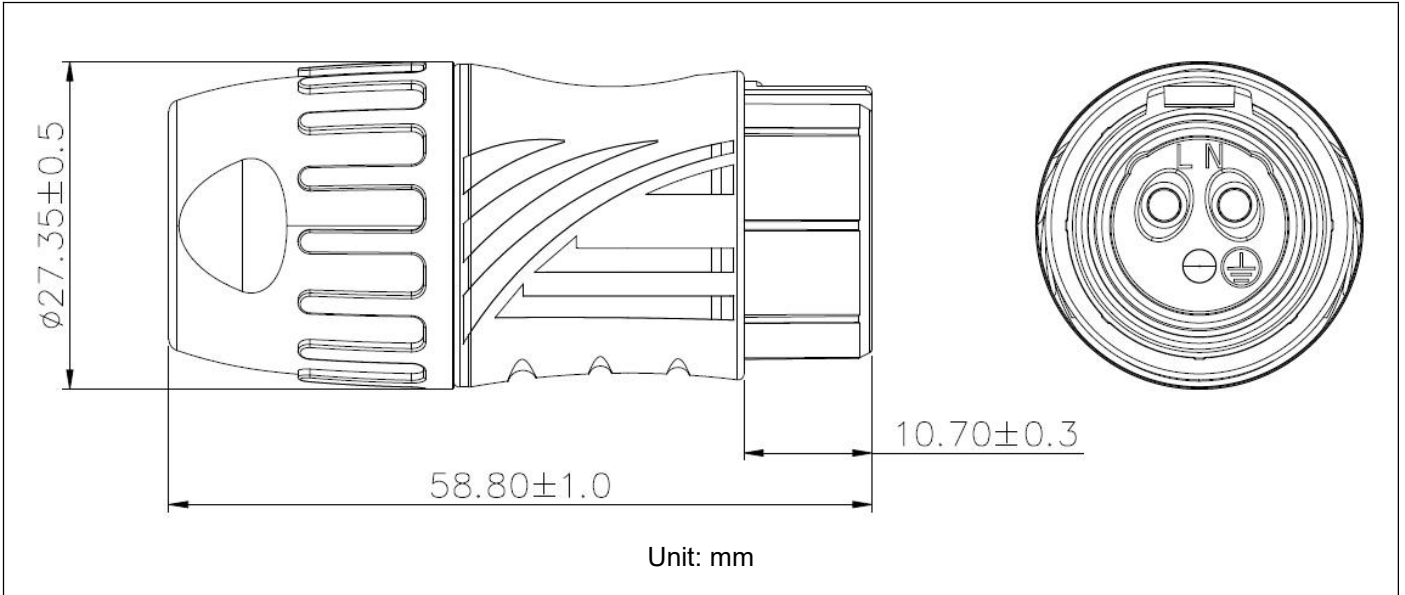


Product Data Sheet

产品规格书

Product Drawing

产品外形尺寸



Packaging Method

包装方式

1pc per bag (include 1pc each of insert, housing, cable clamp and bushing)

50 pcs per inner carton, 5 inner cartons per master carton (250 pcs per master carton)

1 个/袋 (包含内芯、外壳、线夹、尾套各 1 个)

50 个/盒, 5 个内盒/箱 (即 250 个/箱)

Accessory

配件

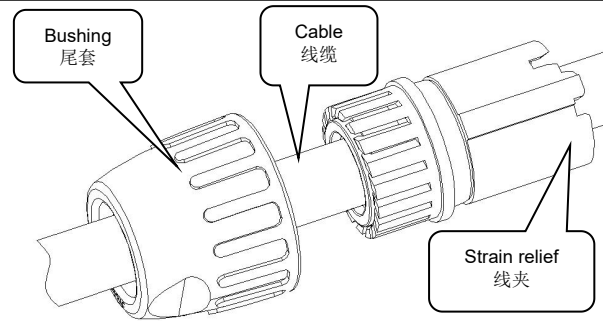
- | | |
|---|---|
| <input checked="" type="checkbox"/> No accessories
无配件 | <input type="checkbox"/> Back fastener plate
安装固定件 |
| <input type="checkbox"/> Screws and Nuts
螺丝和螺帽 | <input type="checkbox"/> Other
其他 |



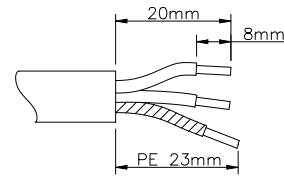
Product Data Sheet 产品规格书

Assembly Instructions 安装使用说明

- (1) Put the cable through the bushing and strain relief
将线缆穿过尾套和线夹



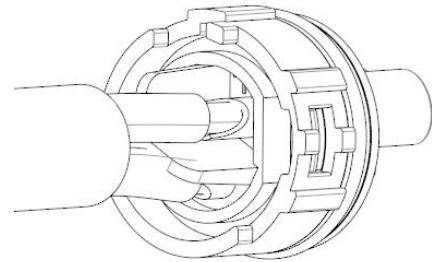
- (2) Strip the cable in the size as shown
按所示尺寸剥线



- (3) Solder the conductor portion of the cable to the inner core pins (refer to the wiring diagram on the right).

将线缆导体部分与内芯插针/插孔焊接在一起 (参考右图接线方式)

Wiring 线序	VDE	UL
L	Brown 棕色	Black 黑色
N	Blue 蓝色	White 白色
Ground 地线	Green/Yellow 绿色/黄色	Green 绿色



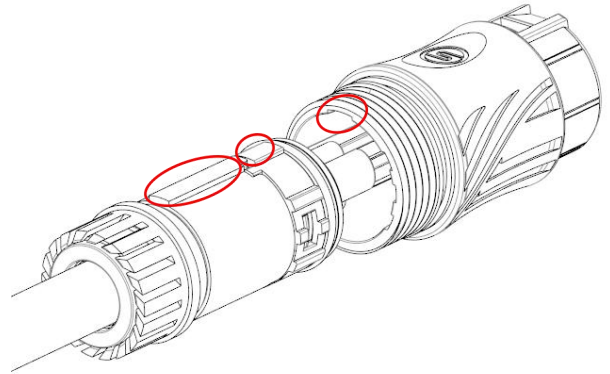
Product Data Sheet 产 品 规 格 书

Assembly Instructions

安装使用说明

- (4) Push the inner core component into the housing with the strain relief. The protruding rib of strain relief should correspond to the protruding rib of inner core component. And the two protruding ribs should correspond to the two grooves inside the housing.

将接完线后的内芯用线夹推入外壳内，线夹的凸筋需与内芯凸筋对应，两处凸筋与外壳凹槽处对应。



- (5) After the assembly of the strain relief, inner core component and housing, tighten the bushing in a clockwise direction with a torque of 2.0 Nm.

线夹、内芯组件与外壳装配后，将尾套按顺时针方向用 2.0 Nm 扭矩拧紧

