

# SEETRONIC

## Product Data Sheet

## 产品规格书

**Product Type**  
产品类型

**IP65 Waterproof Power Plug**  
**IP65 防水插头**

---

**Product Model**  
产品型号

**SAC3MG(DJ)**

---

**Customer Name**  
客户名称

---

Manufacturer 生产方	Prepared 制作	Checked 审核	Approved 核准

Customer 客户方	Received 接受	Checked 审核	Confirmed 确认

Above specifications and information may have tolerances and have been updated.  
Every effort has been made to ensure correctness upon release of this data sheet.  
以上规格和信息可能存在公差，并已更新。我们已尽一切努力确保本规格书发布时的正确性。

All Rights Reserved 2023  
保留所有权利 2023



sales@seetronic-group.com  
www.seetronic.com

## Product Data Sheet 产 品 规 格 书

<b>Product Type</b> 产品类型	<b>IP65 Waterproof Power Plug</b> <b>IP65 防水对接头</b>	
<b>Product Model</b> 产品型号	<b>SAC3MG(DJ)</b>	
<b>Product Features</b> 产品特性		
<ul style="list-style-type: none"><li>➤ Multiple types of 3-inner core design to meet the diversity of industrial needs</li><li>➤ Zinc alloy housing and internal component material with complete electromagnetic and RF interference protection</li><li>➤ Gold plated contacts with high corrosion resistance and electrical conductivity which effectively cope with the current generated temperature change.</li><li>➤ PA66 shell, stable electrical performance, high pressure and temperature resistance, anti-explosion, and corrosion resistance</li><li>➤ Rated current 20A rms</li><li>➤ IP65 protection rating</li> <li>➤ 多种类型的内芯设计(3芯), 满足行业多样化需求。</li><li>➤ 锌合金阀座和内部组件材料, 具有完整的电磁和射频干扰保护</li><li>➤ 镀金接点, 耐腐蚀性和导电性高, 有效应对温度变化所产生的电流</li><li>➤ PA66 外壳, 电气性能稳定, 耐高压、耐高温、防爆、耐腐蚀</li><li>➤ 额定电流 20A</li><li>➤ IP65 防护</li></ul>		



## Product Data Sheet 产品规格书

### Electrical Parameters 电气参数

Item 项目	Specification 规格
Number of Contacts 触点数量	2 + PE
Rated Current 额定电流	20 A
Rated Voltage 额定电压	250V AC
Contact Resistance 接触电阻	$\leq 5 \text{ m}\Omega$
Dielectric Strength 介电强度	4000V DC
Insulation Resistance 绝缘电阻	$> 1000 \text{ M}\Omega$

### Mechanical Parameters 机械参数

Item 项目	Specification 规格
Service Life 使用寿命	$> 1000$ mating cycles $> 1000$ 次使用周期
Cable Size 电线尺寸	$2.5 \text{ mm}^2$
Type of Terminals 端子接线方式	Solder 焊接



## Product Data Sheet 产品规格书

Material and Environmental Parameters 材料和环境	
Item 项目	Specification 规格
Housing 外壳材质	PA 尼龙
Contacts 触点材质	Cu alloy 铜合金
Contact surface 触点表面	Au 金
Protection degree 防护等级	IP65
Flame retardant rating 阻燃等级	UL94-V0
Temperature range 使用温度范围	-30°C ~ +80°C

Standards and Certifications 标准和认证	
Standards 标准	UL498   UL50E   IEC61984   GB/T 34989
Certifications 认证	UL: E356932 VDE: 40044166 CQC: CQC23003410681

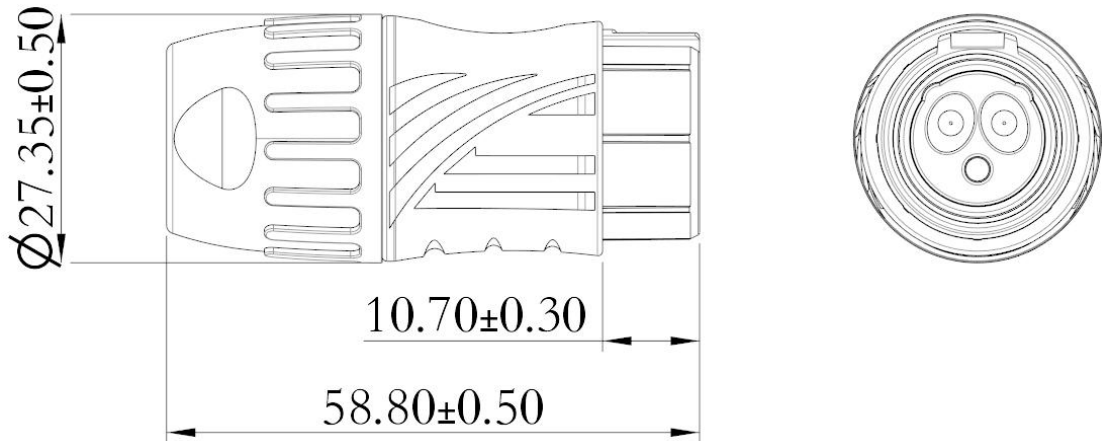


## Product Data Sheet

## 产品规格书

### Product Drawing

#### 产品外形尺寸



Unit: mm

### Packaging Method

#### 包装方式

1pc per bag (include 1pc each of insert, housing, cable clamp and bushing)

50 pcs per inner carton, 5 inner cartons per master carton (250 pcs per master carton)

1 个/袋 (包含内芯、外壳、线夹、尾套各 1 个)

50 个/盒, 5 个内盒/箱 (即 250 个/箱)

### Accessory

#### 配件

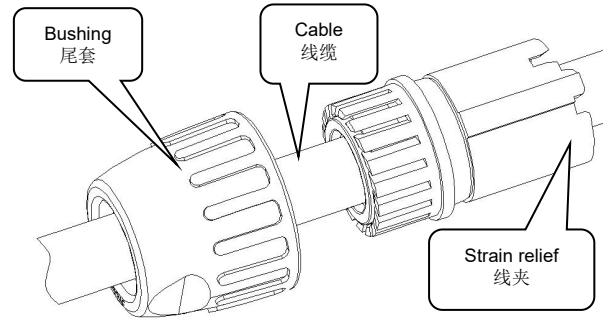
- |   |   |
|---|---|
| <input checked="" type="checkbox"/> No accessories<br>无配件 | <input type="checkbox"/> Back fastener plate<br>安装固定件 |
| <input type="checkbox"/> Screws and Nuts<br>螺丝和螺帽         | <input type="checkbox"/> Other<br>其他                  |



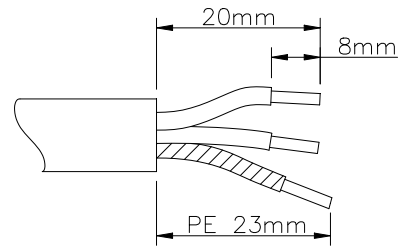
## Product Data Sheet 产品规格书

### Assembly Instructions 安装使用说明

- (1) Put the cable through the bushing and strain relief  
将线缆穿过尾套和线夹



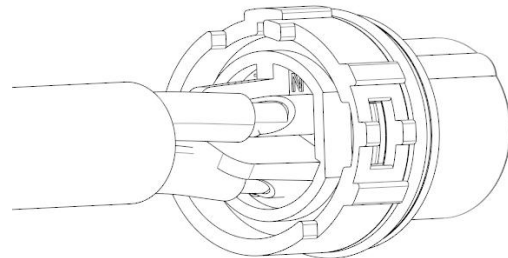
- (2) Strip the cable in the size as shown  
按所示尺寸剥线



- (3) Solder the conductor portion of the cable to the inner core pins (refer to the wiring diagram on the right).

将线缆导体部分与内芯插针/插孔焊接在一起 (参考右图接线方式)

Wiring 线序	VDE	UL
L	Brown 棕色	Black 黑色
N	Blue 蓝色	White 白色
Ground 地线	Green/Yellow 绿色/黄色	Green 绿色



## Product Data Sheet

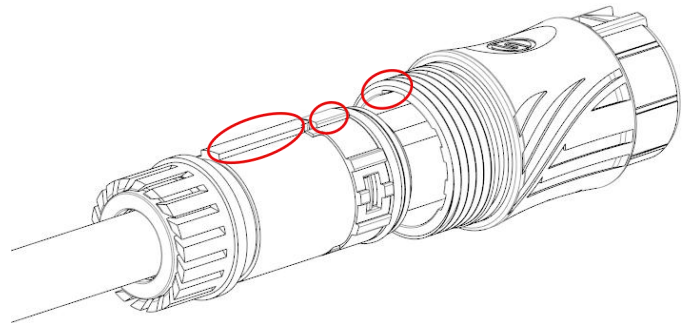
## 产品规格书

### Assembly Instructions

### 安装使用说明

- (4) Push the inner core component into the housing with the strain relief. The protruding rib of strain relief should correspond to the protruding rib of the inner core assembly. And the two protruding ribs should correspond to the two grooves inside the housing.

将接完线后的内芯用线夹推入外壳内，线夹的凸筋需与内芯凸筋对应，两处凸筋与外壳凹槽处对应。



- (5) After the assembly of the strain relief, inner core component and housing, tighten the bushing in a clockwise direction with a torque of 2.0 Nm.

线夹、内芯组件与外壳装配后，将尾套按顺时针方向用 2.0 Nm 扭矩拧紧

