

SEETRONIC

Product Data Sheet

产品规格书

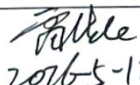
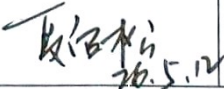
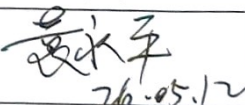
Product Type
产品类型

IP65 Waterproof Power Socket
IP65 防水电源插座

Product Model
产品型号

SAC3MPG-70C

Customer Name
客户名称

| Manufacturer 生产方 | Prepared 制作 | Checked 审核 | Approved 核准 |
|---------------------|--|---|---|
| |  2016-5-12 |  2016-5-12 |  2016-05-12 |

| Customer 客户方 | Received 接受 | Checked 审核 | Confirmed 确认 |
|-----------------|----------------|---------------|-----------------|
| | | | |

Above specifications and information may have tolerances and have been updated.
Every effort has been made to ensure correctness upon release of this data sheet.
以上规格和信息可能存在公差，并已更新。我们已尽一切努力确保本规格书发布时的正确性。

All Rights Reserved 2023
保留所有权利 2023



sales@seetronic-group.com
www.seetronic.com

Product Data Sheet 产 品 规 格 书

| | | |
|--|---|--|
| Product Type 产品类型 | IP65 Waterproof Power Socket IP65 防水电源插座 |  |
| Product Model 产品型号 | SAC3MPG-70C | |
| Product Features 产品特性 | | |
| <ul style="list-style-type: none">➤ Multiple types of 3-inner core design to meet the diversity of industrial needs➤ Zinc alloy shell and internal component material with complete electromagnetic and RF interference protection➤ Gold plated contacts with high corrosion resistance and electrical conductivity, effectively cope with the current generated temperature change.➤ Rated current 20A rms➤ IP65 protection rating ➤ 多种类型的内芯设计(3芯), 满足行业多样化需求。➤ 锌合金阀座和内部组件材料, 具有完整的电磁和射频干扰保护➤ 镀金接点, 耐腐蚀性和导电性高, 有效应对温度变化所产生的电流➤ 额定电流 20A➤ IP65 防护 | | |



Product Data Sheet 产品规格书

| Electrical Parameters 电气参数 | |
|---|--------------------------|
| Item 项目 | Specification 规格 |
| Number of Contacts 触点数量 | 2 + PE |
| Rated Current 额定电流 | 20A |
| Rated Voltage 额定电压 | 250V AC |
| Contact Resistance 接触电阻 | $\leq 5 \text{ m}\Omega$ |
| Basic insulation/ Reinforced insulation 基本绝缘/ 加强绝缘 | 1500V AC / 3000V AC |
| Insulation Resistance 绝缘电阻 | $> 1000 \text{ M}\Omega$ |

| Mechanical Parameters 机械参数 | |
|-------------------------------|--|
| Item 项目 | Specification 规格 |
| Service Life 使用寿命 | > 1000 mating cycles > 1000 次使用周期 |
| Cable Size 电线尺寸 | 2.5mm^2 |



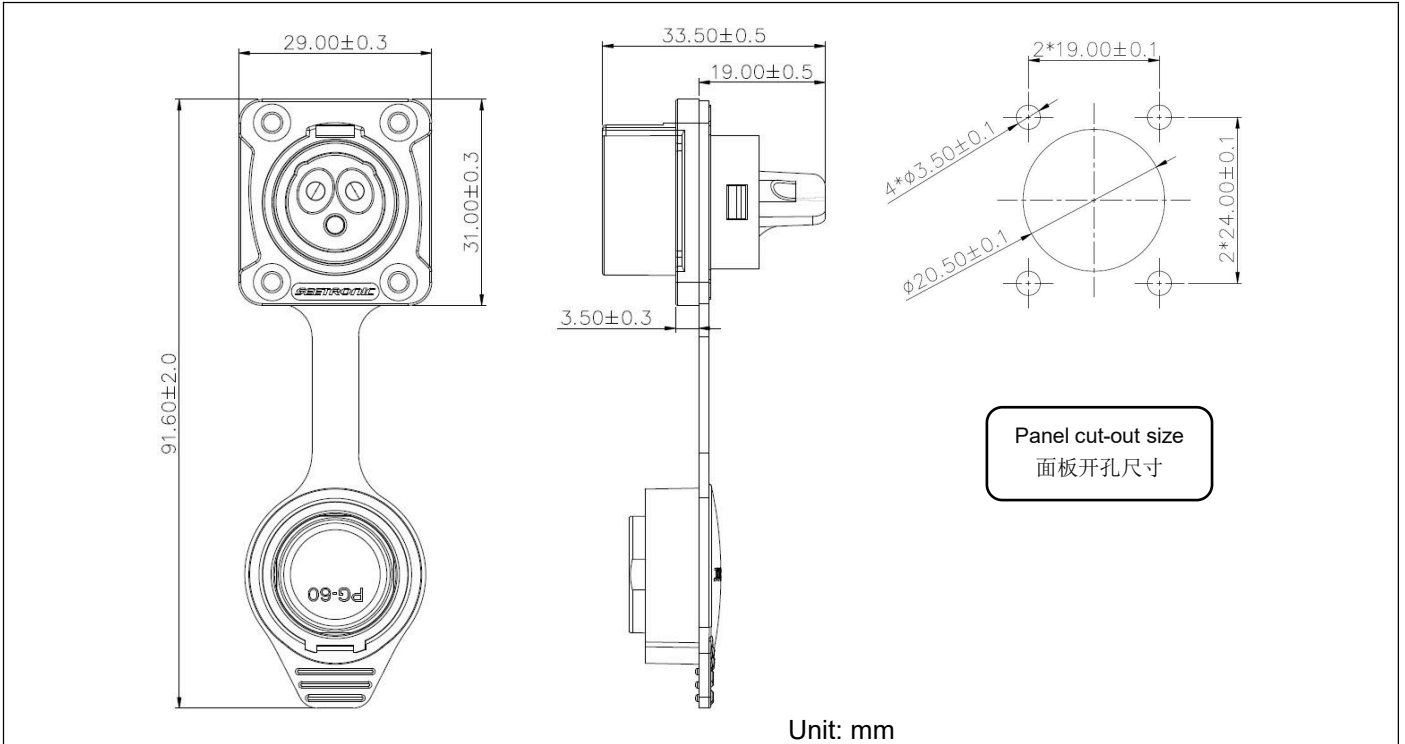
Product Data Sheet 产品规格书

| Material and Environmental Parameters 材料和环境 | |
|--|--------------------------------|
| Item 项目 | Specification 规格 |
| Housing 外壳 | Zinc diecast (ZnAl4Cu1) 锌合金 |
| Contacts 触点 | Cu alloy 铜合金 |
| Contact plating 触点电镀 | Au 金 |
| Flame-retardant grade 阻燃等级 | UL 94 V-0 |
| Temperature range 使用温度范围 | -25°C ~ +85°C |
| Protection degree 防护等级 | IP65 |



Product Data Sheet 产品规格书

Product Drawing 产品外形尺寸



Packaging Method 包装方式

Single bag packing, 1 pc per PE bag (include socket and waterproof cover)
50 pcs per inner carton, 5 inner cartons per master carton (250 pcs per master carton)

单袋包装, 1 个/PE 袋 (包含插座本体与防水盖)
50 个/内盒, 5 个内盒/箱 (即 250 个/箱)

Accessory 配件

- | | |
|--|---|
| <input type="checkbox"/> No accessories 无配件 | <input type="checkbox"/> Back fastener plate 安装固定件 |
| <input checked="" type="checkbox"/> Screws and Nuts 螺丝和螺帽 | <input checked="" type="checkbox"/> Protective cover 防水盖 |

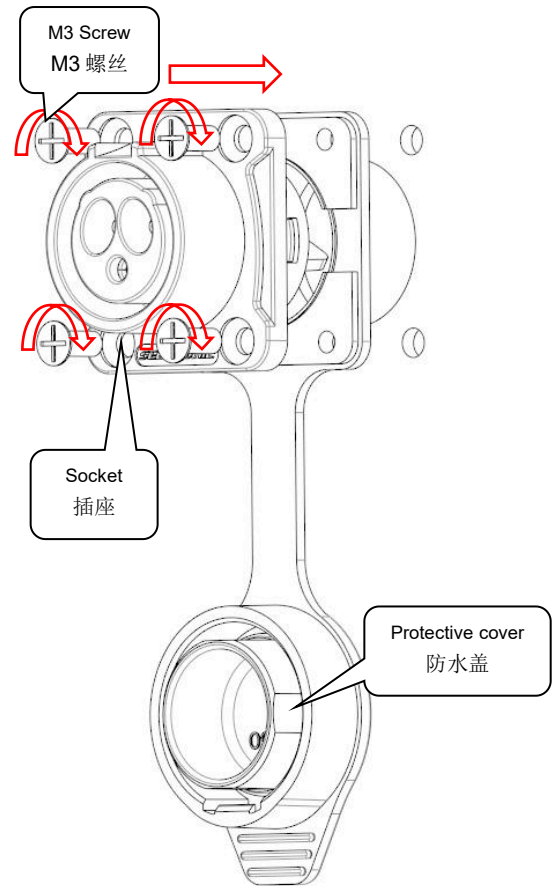


Product Data Sheet 产品规格书

Assembly Instructions 安装使用说明

Put the protective cover on the rear side of the socket and then install on the front of the panel. Finally, tighten the screws with 0.5 Nm torque in clockwise direction.

先将防水盖与插座互配，再将插座前装在箱体开孔处，最后将螺丝按顺时针方向用 0.5 Nm 扭矩拧紧。



Type of Terminals 端子接线方式

