

SEETRONIC

Product Data Sheet

Product Type

RJ45 Socket

Product Model

SE8FBH-C6-LED

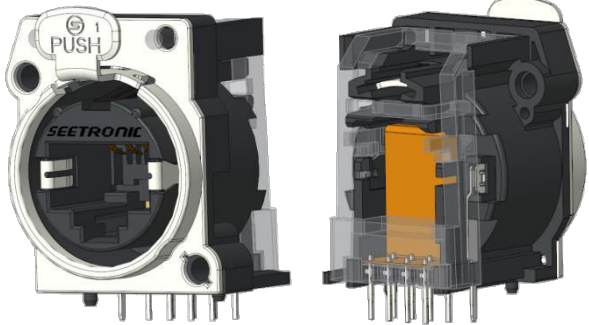
Customer Name

Manufacturer	Prepared	Checked	Approved

Customer	Received	Checked	Confirmed



Product Data Sheet

Product Type	RJ45 Socket	
Product Model	SE8FBH-C6-LED	
Product Features		
<ul style="list-style-type: none">➤ Horizontal PCB mount RJ45 socket, CAT6, PoE++, two LED light pipes through holes on metal cover➤ Match with SE8MC-1-NEW and SE8MC-02-NEW or any standard RJ45 plug➤ Complies with CAT6 according to TIA/EIA 568B and ISO/IEC 11801 standards➤ PoE++ compliant according to 802.3bt		



Product Data Sheet

Product Parameters

Item	Specification
Connection type	RJ45
Gender	Female

Electrical Parameters

Item	Specification
Contact resistance	< 10 mΩ
Rated current	0.5A/PIN
Rated voltage	60 V
Insulation resistance	≥ 0.5 GΩ
Dielectric strength	800V DC
Frequency range	1~250 MHz
Transmission performance	CAT6
Ethernet power supply	PoE++ acc. IEEE 802.3bt



Product Data Sheet

Mechanical Parameters

Item	Specification
Insertion force	≤ 40 N
Service life	> 1000 mating cycles
Locking device	Latch lock
PCB Wiring	Horizontal PCB mount

Material and Environmental Parameters

Item	Specification
Contacts	Copper alloy
Insert	PBT
Contact surface	Au
Housing plating	Zinc alloy
Surface cover plating	Ni
Temperature range	-30°C ~ +80°C

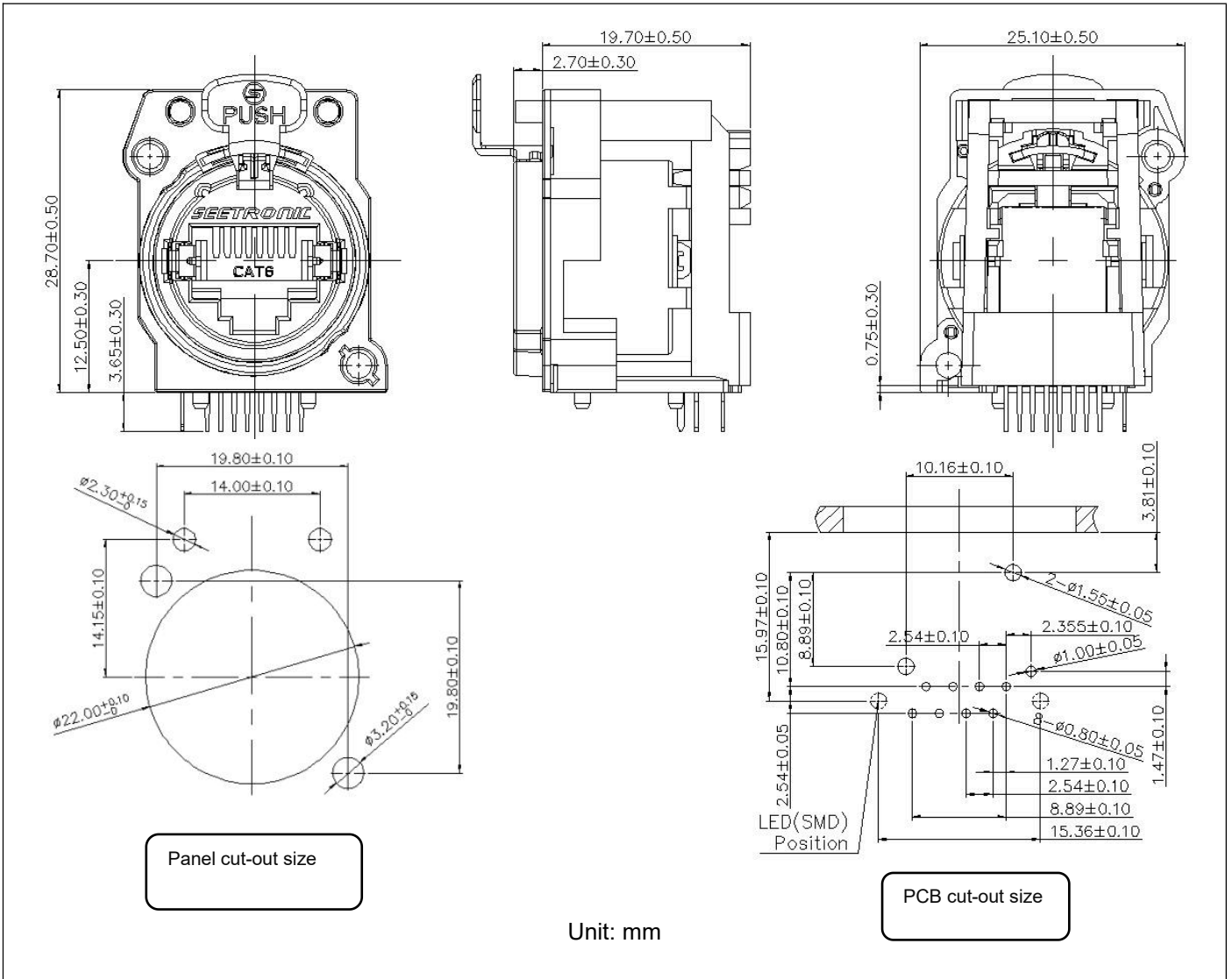
Standards and Certifications

Standards	ITIA/EIA 568B, IEC11801
-----------	-------------------------



Product Data Sheet

Product Drawing



Packaging Method

Blister box packaging

20pcs per blister box, 100pcs per inner box, 5 inner cartons per master carton (500pcs per master carton)



Product Data Sheet

Accessory

- | | |
|--|--|
| <input checked="" type="checkbox"/> No accessories | <input type="checkbox"/> Back fastener plate |
| <input type="checkbox"/> Screws and Nuts | <input type="checkbox"/> Waterproof gasket |

Assembly Instructions

Install the socket on the opening at the back of the panel and tighten the screws with 0.45 Nm torque in a clockwise direction.

(Note: The maximum thickness of the panel is 3.0mm)

